

To : Tecnicrafts Industries  
 Attn : SALES  
 E-Mail : info@tecnicrafts.com

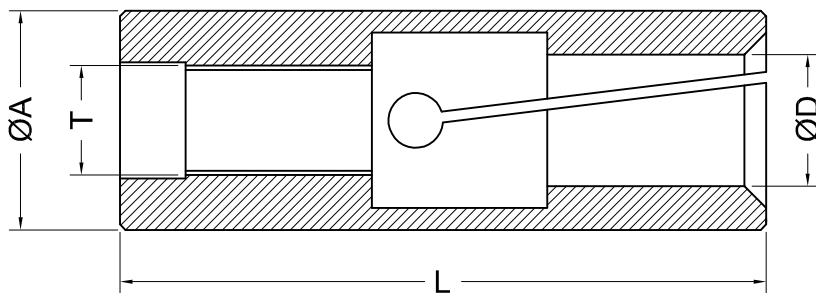
From : \_\_\_\_\_  
 Name : \_\_\_\_\_  
 E-mail : \_\_\_\_\_

Machine Make & Model : \_\_\_\_\_

**Note :** " Copy this Sheet Prior to Use "

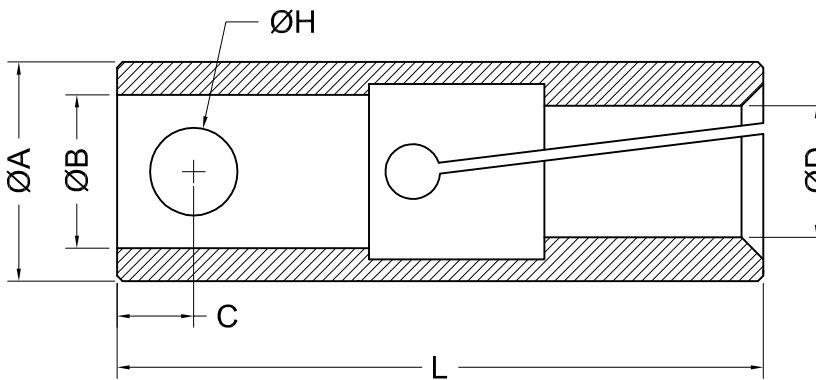
## Bar Feeder Collets ( Feed Fingers )

**Fig.1. Bar Feeder Collet with Internal Thread**



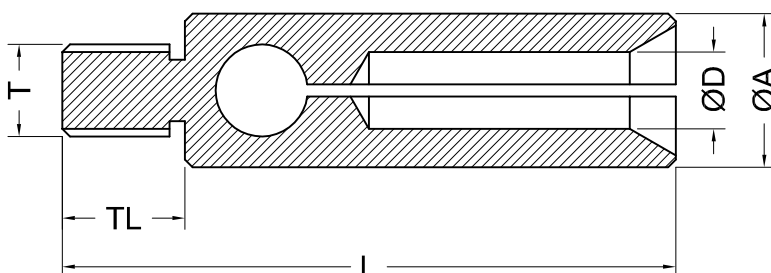
ØA : \_\_\_\_\_  
 Thread : \_\_\_\_\_ RH / LH  
 L : \_\_\_\_\_  
 ØD : \_\_\_\_\_

**Fig.2. Bar Feeder Collet with Pin Type**



ØA : \_\_\_\_\_  
 ØB : \_\_\_\_\_  
 L : \_\_\_\_\_  
 ØH : \_\_\_\_\_  
 C : \_\_\_\_\_  
 ØD : \_\_\_\_\_

**Fig.3. Bar Feeder Collet with External Thread**



ØA : \_\_\_\_\_  
 Thread : \_\_\_\_\_ RH / LH  
 Thread Length (TL) : \_\_\_\_\_  
 L : \_\_\_\_\_  
 ØD : \_\_\_\_\_