



ISO 9001 : 2008
Certified Company

tecnicrafts™

Carbide lined Guide Bushing - Canons Metal dur - HartMetall Führungsbuchse - Boccole

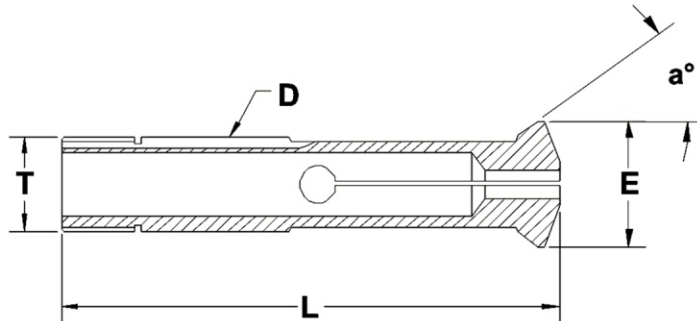


Fig 3

CARBIDE LINED GUIDE BUSHINGS - Magic type

All dimensions are in "mm"

Capacity

Tecnicrafts Code	Fig	ØD	L	Angle-α	T (Thread size)	ØE	Capacity		
							Round	Hex.	Sq.
R10/02	Fig.3	10	58	36	M10x 1	14	5.5	4	3
R13/02	Fig.3	13	68	36	M13x 1	17	8.5	7	5
R18/04	Fig.3	18	100	20	M18x 1	21.5	14	11	9
R18/05	Fig.3	18	68	36	M18x 1	24	12.5	10	8
R30/03	Fig.3	30	73	19	M22x 1	16	17	14	11

Guide bush - Magic Type

