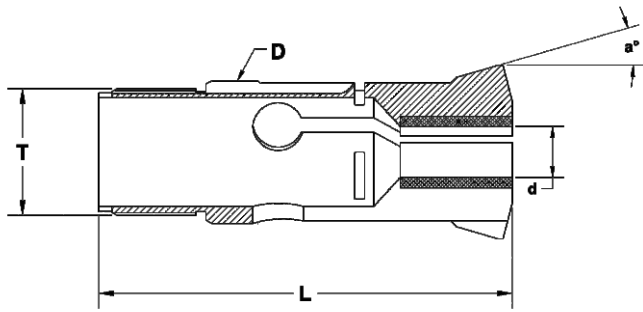


Carbide Lined Guide Bushing - Traub



CARBIDE LINED GUIDE BUSH - TRAUB

All Dimension are in mm - Unless Otherwise Specified

Part Nr.	Guiding Dia	Total Length	Thread	Angle	Capacity		
					Round	Hexagon	Square
	ØD	L	T	a°	●	⬡	■
R21/07	21	65.5	M18x1	12°	13.5	11	9
R27/01	27	67.5	M24x1	12°	18	15	13
R28/06	28	81.2	M25x1	16°	21	18	15
R42/07	42	81	M40x1	16°	33	28	23