

To : Tecnicrafts Industries
 Attn : SALES
 E-Mail : info@tecnicrafts.com

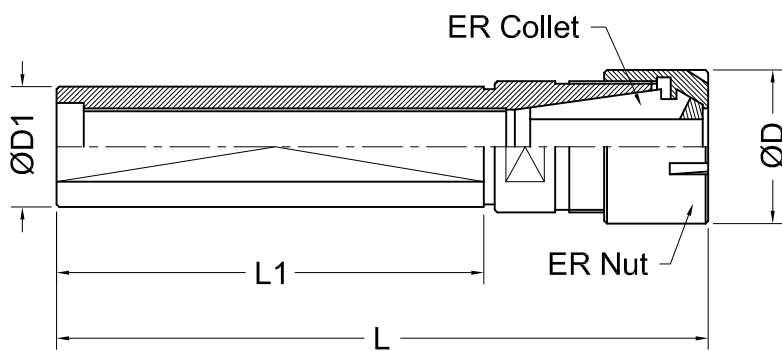
From : _____
 Name : _____
 E-mail : _____

Machine Make & Model : _____

Note : " Copy this Sheet Prior to Use "

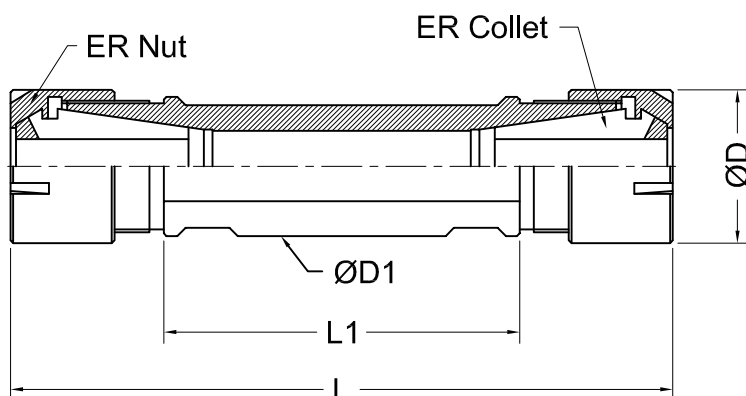
ER Cylindrical Holders

Fig.1. Single End - ER Cylindrical Holder



ØD : _____
 ØD1 : _____
 L : _____
 L1 : _____
 ER Nut : _____
 (Mini Nut / Hex. Nut.)
 (Please Refer ER Nut Chart)

Fig.2. Double End - ER Cylindrical Holder



ØD : _____
 ØD1 : _____
 L : _____
 L1 : _____
 ER Nut : _____
 (Mini Nut / Hex. Nut.)
 (Please Refer ER Nut Chart)